

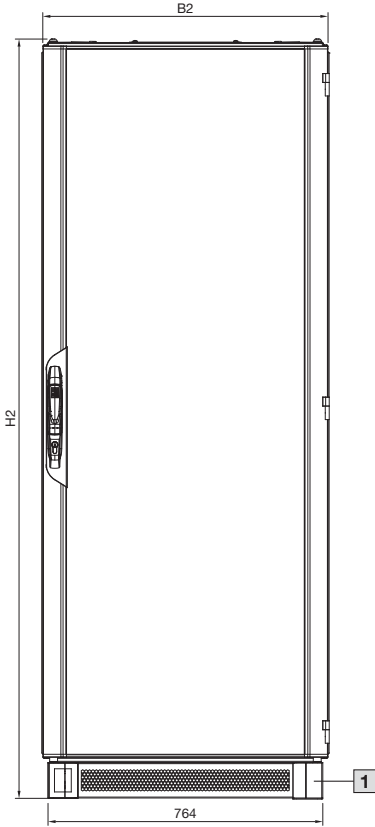
IT infrastructure

IT rack systems

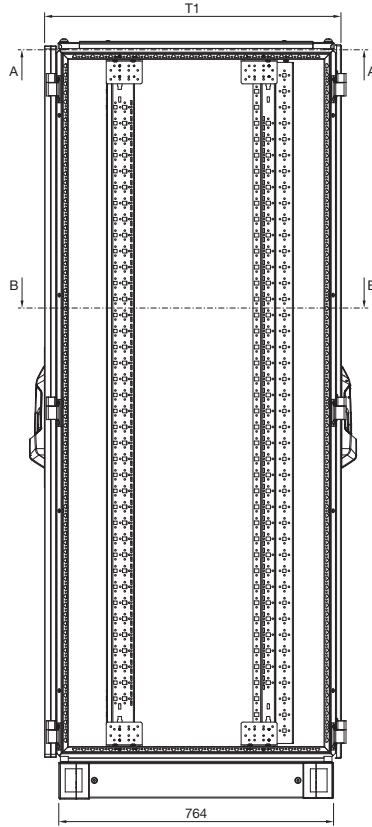
Network/server racks VX IT

with glazed door, with 482.6 mm (19") mounting angles, standard, W 800 x D 800 mm

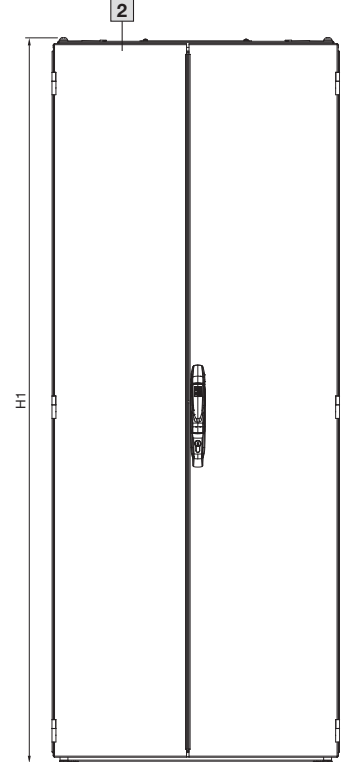
Front view



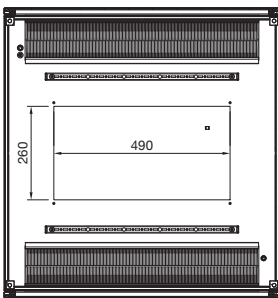
Side view



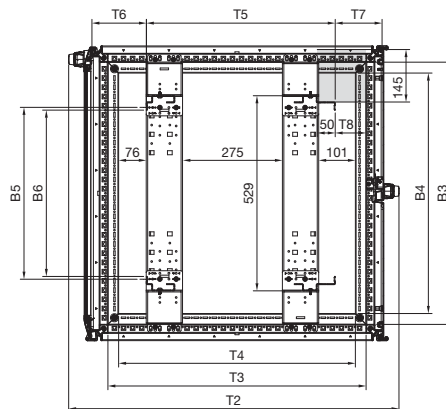
Rear view



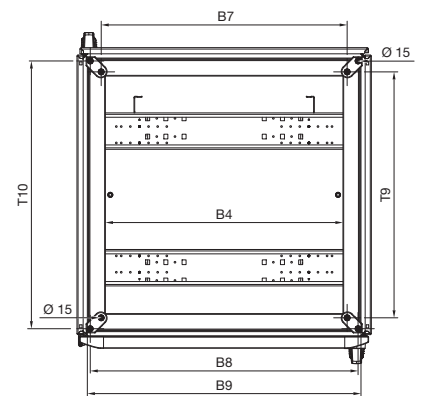
Section A – A



Section B – B



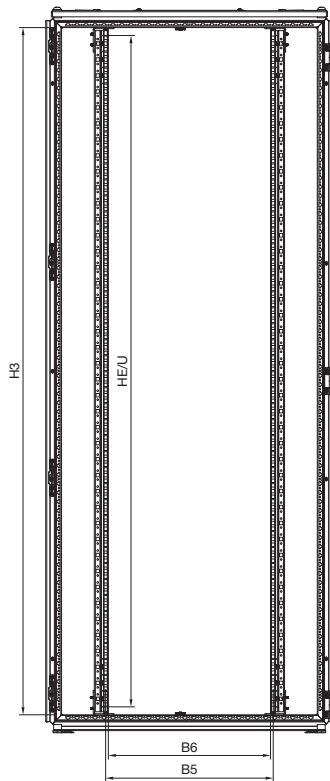
Bottom view



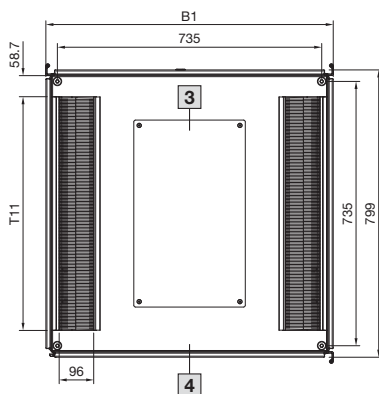
Network/server racks VX IT

with glazed door, with 482.6 mm (19") mounting angles, standard, W 800 x D 800 mm

Front view without doors



Top view



- B1 = Overall width without side panels
- B2 = Width of front door
- B3 = Clearance of enclosure frame
- B4 = Clearance base opening (footprint of frame excluding levelling feet, inner edge)
- B5 = Mounting dimension 19"
- B6 = Clearance within the 482.6 mm (19") mounting level
- B7 = Footprint of levelling feet (attached to the base frame)
- B8 = Footprint of levelling feet (attached to the frame corner pieces)
- B9 = Footprint of frame excluding levelling feet, outer edge
- H1 = Overall height
- H2 = Overall height including base/plinth
- H3 = Clearance of enclosure frame
- T1 = Overall depth without handles
- T2 = Overall depth with handles
- T3 = Clearance of enclosure frame
- T4 = Clearance base opening
- T5 = Distance between 482.6 mm (19") mounting levels
- T6 = Clearance in front of 482.6 mm (19") mounting level
- T7 = Clearance behind 482.6 mm (19") mounting level
- T8 = Distance between frame and 482.6 mm (19") mounting level, rear
- T9 = Footprint of levelling feet (attached to the base frame)
- T10 = Footprint of levelling feet (attached to the frame corner pieces)
- T11 = Depth of brush strip

- 1 5303.154, 5307.154 with base/plinth system VX, 100 mm high, vented
- 1 5303.124, 5303.134, 5303.154, 5307.134 rear door, one-piece
- 3 Cut-out for fan mounting plate 5502.010, not applicable to 5303.134, 5307.134
- 4 5303.134, 5307.134 roof plate, one-piece, solid

Note:

- With fitted side panels, the overall width B1 is increased by 9 mm
- Depending on the baying connector, the distance between bayed enclosures is either 1 or 3 mm
- Clearance for PDU:
Depth = T8 + 50 mm/width = 145 mm

Model no. DK	U	Width dimensions mm									Height dimensions mm			Depth dimensions mm										
		B1	B2	B3	B4	B5	B6	B7	B8	B9	H1	H2	H3	T1	T2	T3	T4	T5 ³⁾	T6 ¹⁾	T7 ²⁾	T8	T9	T10	T11
5303.124	24	799	793	711	652	465	451	675	735	751	1217.5	1111	1311.5	825	910	711	652	520	150	129	85	675	735	650
5303.134	24	799	793	711	652	465	451	675	735	751	1217.5	1111	1311.5	825	910	711	652	520	150	129	85	675	735	650
5303.154	24	799	793	711	652	465	451	675	735	751	1217.5	1111	1311.5	825	910	711	652	520	150	129	85	675	735	650
5305.124	38	799	793	711	652	465	451	675	735	751	1817.5	1711	1911.5	825	910	711	652	520	150	129	85	675	735	650
5307.124	42	799	793	711	652	465	451	675	735	751	2017.5	1911	2111.5	825	910	711	652	520	150	129	85	675	735	650
5307.134	42	799	793	711	652	465	451	675	735	751	2017.5	1911	2111.5	825	910	711	652	520	150	129	85	675	735	650
5307.154	42	799	793	711	652	465	451	675	735	751	2017.5	1911	2111.5	825	910	711	652	520	150	129	85	675	735	650
5312.124	47	799	793	711	652	465	451	675	735	751	2217.5	2111	2311.5	825	910	711	652	520	150	129	85	675	735	650

¹⁾ Min. distance 50 mm ²⁾ Min. distance 54 mm ³⁾ Max. distance 695 mm