

Fiber Optic Round Closure (FORC)

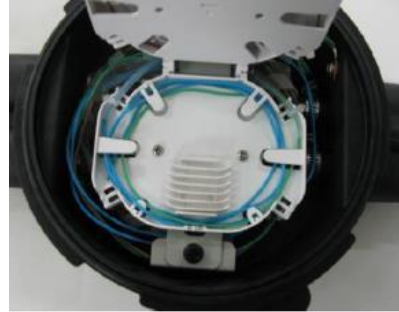
Versatile easy to use fiber closure for FTTH networks

Charles fiber optic round closure (FORC) provides a versatile and functional cost-effective solution for FTTH network connections. These compact closures are a space saving solution. They have a feed port and two branch ports. The units make an ideal solution to be used as a repair closure. In addition the branch ports can be fitted with multi-cable grommets to splice in drops and can be used as a drop closure. These closures are fully sealed units which can be installed to meet any deployment requirement.



Features

- Robust glass filled polypropylene housing to withstand acidic and alkaline environments
- Mechanical compression technology provides cost-effective reliable cable sealing
- Sealed IP68 rated for below grade use
- Dual feed port and two branch ports
- Multi-cable grommets available for use as a drop closure
- 36 fiber splice capacity
- Compact for use in limited space applications



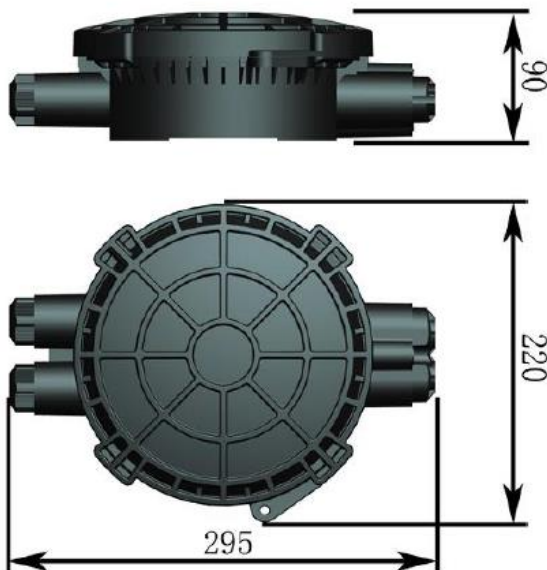
Product Specifications

Parameter	Specification
Dimensions: L x W x H	295 x 220 x 90 mm
Weight	2 kg
Ambient Temperature	-40°C to +65°C
Feed cable	10 – 17 mm OD
Branch ports	2 ports: grommets available for 8 - 12mm or 12 – 17 mm cable Multi-cable grommets also available for: 4x 5 - 7 mm, 8x 3 – 5 mm, or 2x flat drop cable (8.2*4.5 mm)
Splice capacity	3 trays, each 12 single fusion splice (total 36 splice)
Cable sealing method	Mechanical (compression grommets)
Environmental rating	IP 68 (2m depth)

Please contact Charles Industries for specific ordering numbers

Outline Dimensions

Branch Port Grommets



View	Cable Sizes
	12 - 17mm
	8 - 12mm
	4x 5 - 7 mm
	8x 3 - 5 mm
	2x flat drop 8.5 x 4.2mm

Dimensions: mm